

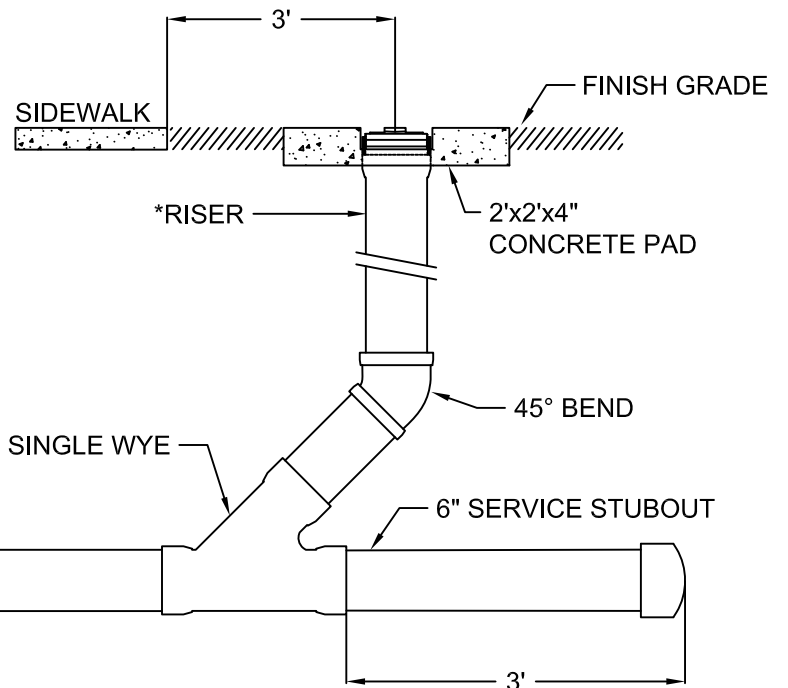
PLAN

\* RISER PIPE TO BE LEFT 18" MIN. ABOVE GRADE DURING CONSTRUCTION PERIOD. AFTER FINISH GRADING IS COMPLETED, RISER SHALL BE CUT AND READJUSTED TO GRADE. WHERE CLEAN-OUT RISER FALLS IN A PAVED OR SIDEWALK AREA, A STEEL TRAFFIC BEARING CLEANOUT COVER SHALL BE USED.

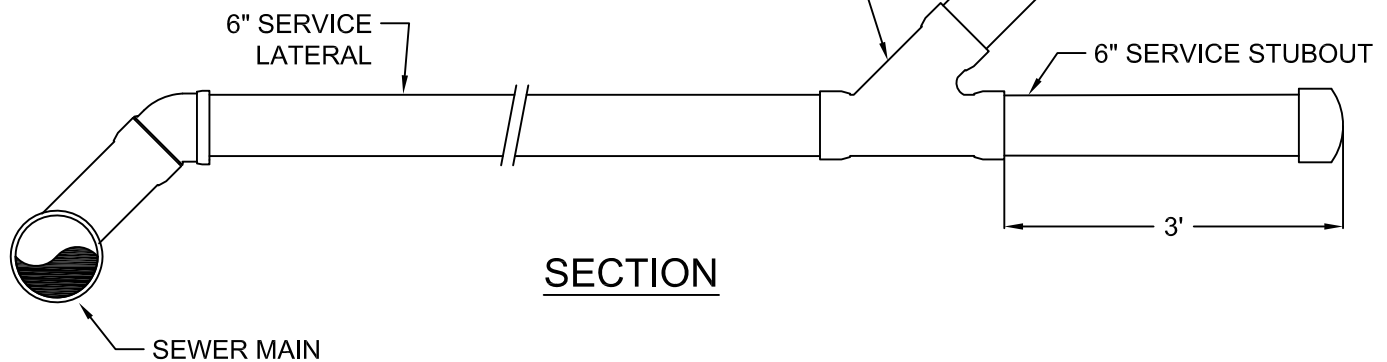
NOTE:

EACH SERVICE OR DOUBLE WYE SERVICE SHALL HAVE A STUB-OUT BROUGHT TO THE PROPERTY LINE.

ALL PIPE TO BE SDR-26 PVC.

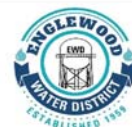


SECTION



LAST REVISION	AUG. 2019
CHECKED	MM
APPROVED	KRL

**SINGLE SERVICE**  
**SANITARY SEWER**



**ENGLEWOOD WATER DISTRICT**  
201 SELMA AVENUE  
ENGLEWOOD, FLORIDA 34223